

Ground Plates

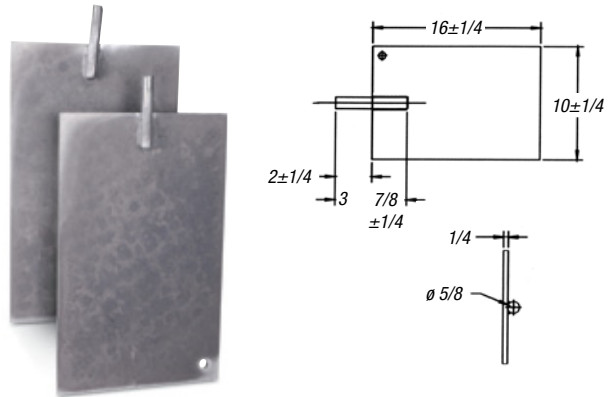
As efficient as two 10-ft. x 5/8" ground rods.

Galvanized Ground Plates

- 1/4" thick, hot-dipped galvanized
- Must be buried at least 600mm (24") below finish grade level, according to CEC Rule 10-702



CAT. NO.	DESCRIPTION	CONDUCTOR RANGE
1016TB	Galvanized ground plates	#8 Sol. to 1/0 Str.
1016BTB	Galvanized ground plates with JAB58H connector	#8 Sol. to 1/0 Str.



More efficient than butt-wrapping poles.

Type GP — Copper Pole Bottom Ground Plates for Multigrounded Neutral Construction

- Made of electrolytic sheet copper
- Built-in high-pressure connector for ground lead, or supplied with #6 AWG copper pigtail pre-attached
- Plates are grooved for trapping moisture



CAT. NO.	PIGTAIL WIRE RANGE		MIN. (MM²)		MAX. (MM²)		DIAMETER OF PLATE	
	MIN.	MAX.	(IN.)	(MM)	(IN.)	(MM)	(IN.)	(MM)
GP100	#14 Str.	#4 Sol.	6.3	25.6	7½	191		
GP110	#14 Str.	#4 Sol.	6.3	25.6	10	254		
GP114	#14 Str.	#4 Sol.	6.3	25.6	14	356		
GP1003	#6 AWG solid CU Pigtail with 18" conductor		—	—	7½	191		
GP1008	#6 AWG solid CU Pigtail with 8-ft. conductor		—	—	7½	191		
GP1108	#6 AWG solid CU Pigtail with 8-ft. conductor		—	—	10	254		

Installed cost considerably less than butt-wrapped poles.

Type PB — Copper Pole Ground Plates

- Installed on butt end of utility poles to provide an economical, low-resistance neutral ground
- Plate portion fabricated of .025" pure copper
- PBGW connector is eye-bolt type, cast of corrosion-resistant aluminum bronze alloy, with silicon bronze nut and lockwasher
- PBH connector features riveted all-copper terminal lug for connecting to grounding conductor



CAT. NO.	WIRE RANGE		FINISHED SIZE	SQ. IN.
	MAX.	MIN.		
PBGW	2/0 Str.	#10 Sol.	7 x 7½	56
PBH*	#4 Str.	#14 Sol.	7 x 7½	56

* RUS Listed.